

To: _____

Specification Document

Break Detection Terminal ZT-2

Date : ()

<Manufacturer >

System Equipment Division
Electronic Materials & System Equipment Group
TATSUTA Electric Wire & Cable Co., Ltd.

System Equipment Division		
Approved by:	Checked by:	Prepared by:

<<<Important safety instructions>>>



Warning

If you handle wrong to ignore the following, it is possible that you are seriously injured. Also it is possible that those are cause of fire, electrical shock, and any troubles.



Strict prohibition

- Please do not use the disconnection detection terminal instead of an electric wire.



Attention

- When you use the sensor, please look at the handling explanation on the sensor case back.
- Do not install sensor where a large quantity of dew generates.
- Press the sensor closely to the surface. Partial gap between the sensor and horizontal surface should be less than 2mm in length. The gap between the sensor and a vertical surface, such as pillar and girder, should be less than 1mm in length.
- Two electrodes are twisted in the sensor to minimize the influence of external electromagnetic induction. However, avoid parallel installation of the sensor with power cables for a long distance.
- Where the sensor crosses power cables with 300V or more, separate the sensor completely from the cables with an insulating wall (such as plastic sheet, etc.).
- After detecting water leakage, the sensor recovers its function when it becomes dry. If conductive substance is contained in the leaked water, however, some sensor may not recover their functions. Such sensor should be renewed. Install the sensor so as to be replaced in future.
- Use AC power supply for detector. Water leakage detector use AC power supply to protect the sensor electrodes from electrolytic corrosion. (Our detector systems are all for AC power.)
- If oil-containing material adheres to the sensor, water may be repelled. Thus water leakage cannot be detected.

Table of contents

	Page
1. Scope of application.....	1
2. Construction	1
3. Specifications	1

1. Scope of application

This specifications covers Break Detection Terminal ZT-2.

2. Construction

Construction of Break Detection Terminal shows Figure-1.

(Unit : mm)

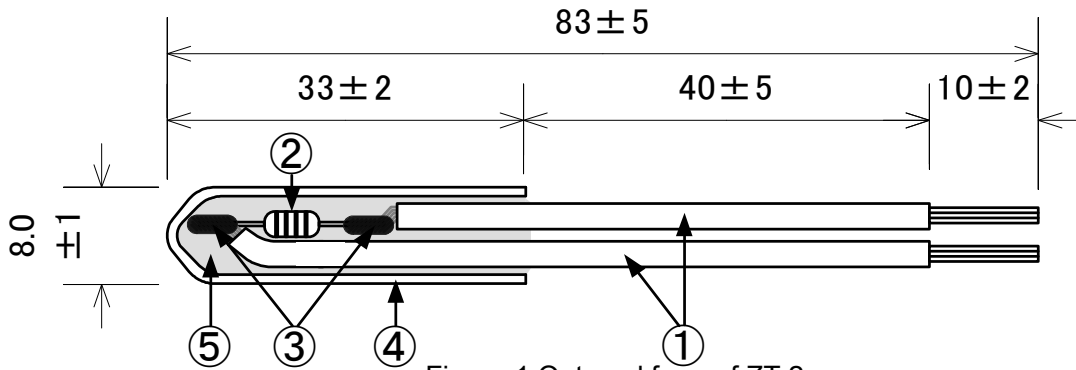


Figure-1.Outward form of ZT-2

3.Specifications

Item		Specification
Use parts	□ Lead Wire	PVC UL1015LF 22AWG WHITE
	□ Resistor	20kΩ±2% 1/4W metal film resistor
	□ Solder	Pb-free solder
	□ Cap	PVC tube
	⑤ Filling thing	Silicone rubber
Resistance between electrodes(AC)		20kΩ±1%
Moisture resistivity		Resistance between electrodes is 20kΩ±10% under heavy wet condition, expecting dew condensing environment.
Heat resistivity		60□ max. for continuous operation.
Weight		3.2g±0.8g